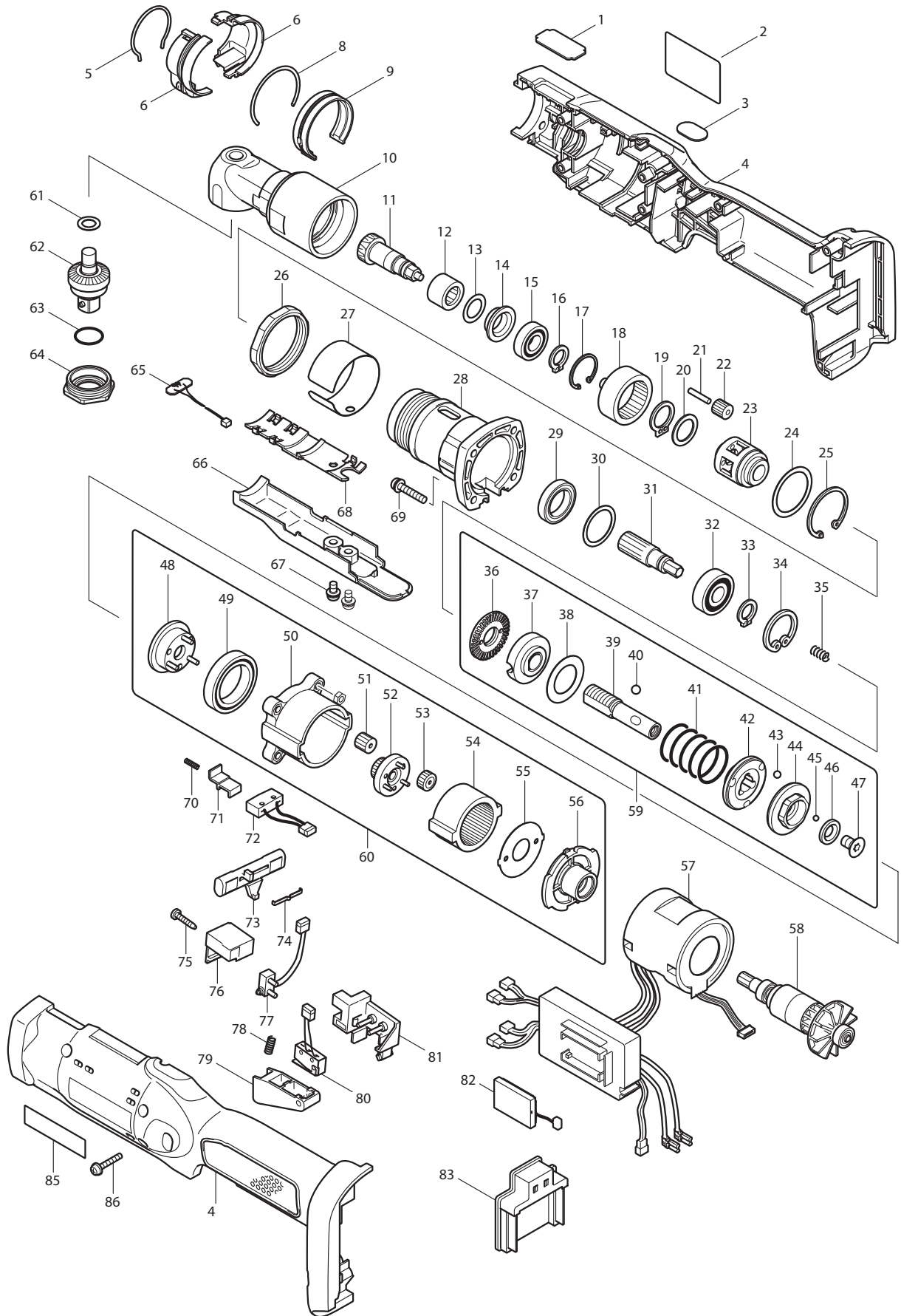




06 - 2014  
DFL300FZ

14.4V - 3/8" NUT RUNNER, 142-266 INCH LBS



Item No	Type	Sub	Part No	Description	Qty	Unit
001			345445-8	PLATE J	1	PC.
002			850A96-5	NAME PLATE F/DFL300F	1	PC.
003			418001-8	LENS	1	PC.
004			187856-9	HOUSING SET	1	SET
		INC.		Item No. 85		
005			233932-8	RING SPRING 29	1	PC.
006			183848-6	LIGHT COVER SET	1	SET
008			233931-0	RING SPRING 36	1	PC.
009			418687-8	LEAD COVER	1	PC.
010	1		158055-0	ANGLE HEAD COMPLETE	1	PC.
	2		144978-8	ANGLE HEAD COMPLETE	1	PC.
011			227478-4	SPIRAL BEVEL GEAR 9	1	PC.
012			212122-6	NEEDLE BEARING 1212	1	PC.
013			253312-2	THIN WASHER 12	1	PC.
014			345281-2	SPACER	1	PC.
015			210057-5	BALL BEARING 6900LLB	1	PC.
016			961026-6	RETAINING RING S-10	1	PC.
017			962102-9	RETAINING RING R-22	1	PC.
018			227120-7	INTERNAL GEAR 50	1	PC.
019			961054-1	RETAINING RING S-14	1	PC.
020			253837-6	FLAT WASHER 14	1	PC.
021			256104-8	PIN 3	5	PC.
022			227138-8	SPUR GEAR 14	5	PC.
023			310148-3	CARRIER	1	PC.
024			267127-1	FLAT WASHER 26	1	PC.
025			962161-3	RETAINING RING R-32	1	PC.
026			252187-6	HEX. NUT M36-41	1	PC.
027			345448-2	RING 38L	1	PC.
028			317808-8	CLUTCH CASE	1	PC.
029			211283-9	BALL BEARING 6803ZZ	1	PC.
030			267283-7	FLAT WASHER 21	1	PC.
031			227137-0	SPUR GEAR 21	1	PC.
032			211088-7	BALL BEARING 6000DDW	1	PC.
033			961026-6	RETAINING RING S-10	1	PC.
034			962105-3	RETAINING RING R-26	1	PC.
035			233019-6	COMPRESSION SPRING 5	1	PC.
036			324834-0	LOCK NUT M12	1	PC.
037			158408-3	ADJUST RING COMPLETE	1	PC.
038			267276-4	FLAT WASHER 18	1	PC.
039			324296-2	SPINDLE	1	PC.
040			216018-3	STEEL BALL 5.0	3	PC.
041			233417-4	COMPRESSION SPRING 19F	1	PC.
042			223146-7	CAM D	1	PC.
043			216024-8	STEEL BALL 4	3	PC.
044			223139-4	CAM A	1	PC.
045			216019-1	STEEL BALL 3	13	PC.
046			267247-1	FLAT WASHER 7	1	PC.
047			266305-0	TORX C.S HEAD SCREW M5X10	1	PC.
048			153443-6	CARRIER COMPLETE A	1	PC.
049			211375-4	BALL BEARING 6805LLB	1	PC.
050			418004-2	GEAR CASE	1	PC.
051			227050-2	SPUR GEAR 13	3	PC.
052			153684-4	SPUR GEAR 20 COMPLETE C	1	PC.
053			227104-5	SPUR GEAR 15	3	PC.
054			227048-9	INTERNAL GEAR 47	1	PC.
055			267774-8	LOCK WASHER	1	PC.
056			418003-4	MOTOR BRACKET	1	PC.
057			631620-5	MOTOR CONTROL UNIT	1	PC.
058			619143-3	ROTOR	1	PC.
059			125396-9	CLUTCH ASS'Y I	1	PC.
		INC.		Item No. 36-47		

Item No	Type	Sub	Part No	Description	Qty	Unit
060			125231-1	GEAR ASS'Y E Item No. 48-56	1	PC.
		INC.				
061			253777-8	FLAT WASHER 8	1	PC.
062			154447-1	SPINDLE A COMPLETE	1	PC.
063			213222-5	O RING 15	1	PC.
064			285722-5	BEARING RETAINER 15-26	1	PC.
065			631622-1	LED CIRCUIT	1	PC.
066			418690-9	SWITCH COVER	1	PC.
067			265171-2	PAN HEAD SCREW M4X8	2	PC.
068			418686-0	LEAD HOLDER	1	PC.
069			265145-3	+ PAN HEAD SCREW M4X22	4	PC.
070			233025-1	COMPRESSION SPRING 2	1	PC.
071			418002-6	SWITCH LEVER	1	PC.
072			638184-0	SWITCH UNIT	1	PC.
073			418201-0	F/R CHANGE LEVER	1	PC.
074			232201-4	LEAF SPRING	1	PC.
075			266130-9	TAPPING SCREW BIND PT 3X16	1	PC.
076			418204-4	COVER	1	PC.
077			638276-5	SWITCH UNIT	1	PC.
078			231397-8	COMPRESSION SPRING 4	1	PC.
079			418203-6	SWITCH LEVER A	1	PC.
080			638275-7	SWITCH UNIT	1	PC.
081			418202-8	SWITCH BASE	1	PC.
082			631514-4	BUZZER CIRCUIT	1	PC.
083			643828-9	TERMINAL	1	PC.
085			819063-3	MAKITA LABEL	1	PC.
086			265095-2	PAN HEAD SCREW M3X20	7	PC.
C01			846797-5	CARTON	1	PC.

#### **ACCESSORIES**

- See Catalogue or visit [www.makita.ca](http://www.makita.ca) for more accessories -

A01			765027-4	TORQUE ADJUST TOOL	1	PC
A02			---	14.4V LI-ION BATTERY		
A03			---	BATTERY CHARGER		
A04			---	LI-ION BATTERY ACCESSORIES		
A05			193681-8	REFRESHING ADAPTOR ADP03	1	PC.
A07			418691-7	PROTECTOR A, YELLOW, FOR CLUTCH CASE	1	PC.
			418743-4	PROTECTOR A, BLUE, FOR CLUTCH CASE	1	PC.
			418744-2	PROTECTOR A, RED, FOR CLUTCH CASE	1	PC.
			418745-0	PROTECTOR A, CLEAR, FOR CLUTCH CASE	1	PC.
			418692-5	PROTECTOR B, YELLOW, FOR ANGLE HEAD	1	PC.
			418746-8	PROTECTOR B, BLUE, FOR ANGLE HEAD	1	PC.
			418747-6	PROTECTOR B, RED, FOR ANGLE HEAD	1	PC.
			418748-4	PROTECTOR B, CLEAR, FOR ANGLE HEAD	1	PC.
			418693-3	PROTECTOR C, YELLOW, FOR ANGLE HEAD	1	PC.
			418749-2	PROTECTOR C, BLUE, FOR ANGLE HEAD	1	PC.
			418750-7	PROTECTOR C, RED, FOR ANGLE HEAD	1	PC.
			418751-5	PROTECTOR C, CLEAR, FOR ANGLE HEAD	1	PC.
A08			---	TORQUE TRACER BLUETOOTH ASSEMBLY ACCESSORIES		

#### **SPECIAL ORDER ACCESSORIES**

A09			195620-4	ANTI KICK BACK HEAD SET	1	PC.
			453093-0	PROTECTOR D, YELLOW, FOR ANTI KICK BACK HEAD	1	PC.
			453091-4	PROTECTOR D, BLUE, FOR ANTI KICK BACK HEAD	1	PC.
			453092-2	PROTECTOR D, RED, FOR ANTI KICK BACK HEAD	1	PC.
			453094-8	PROTECTOR D, CLEAR, FOR ANTI KICK BACK HEAD	1	PC.

**SERVICE CHANGES**

**1. Changes on Housing Set and Terminal** (TI#A2665)

<b>Item No.</b>	<b>Description</b>	<b>Type 1</b>	<b>Type 2</b>
4	Housing Set	183867-2	187856-9
57	Terminal	643983-7	643828-9

Above parts are completely interchangeable as a set.